

PLCC 2835 Hunter Lightbar IP20 Series Datasheet

Product description :

- 12/24 V constant voltage strip (SELV)
- Ideal for application on aluminum extrusions but also for various decorative lighting applications such as cove lighting, facade accent lighting etc.



Features and benefits :

- Extremely narrow pitch distance enables short distance to diffuser and outstanding homogeneity
- Small color tolerance (SDCM3-5), Ra > 80/Ra > 90
- Color temperature 2700, 3000, 4000 and 5700 K
- Self-adhesive 3M tape at the backside for simple mounting on different surfaces
- 3-year guarantee



Typical Applications :

- Stairway Accent Lighting
- Home or Club Lighting
- Architectural decorative Lighting
- Arch edge Lighting



Table of Contents

General Information.....	3
Technical data.....	3
Mechanical Dimensions.....	4
Electric-Optical Characteristics	5
Standards	7
Thermal details.....	7
Product Packaging Information.....	8
Precaution for Use.....	9
Environmental Compliance.....	9
Application Notes.....	9
Revision History	10
About Edison Opto	10

General Information

Ordering Code Format

6
X1
L B R 2
X2
X X
X3
X
X4
E 0
X5
S
X6
X X X
X7
X X
X8

X1 Item	X2 Series	X3 Emitting Color	X4 Driver	X5 Length			
6	Module	LBR2	FPC	CW Cool White NW Neutral White WW Warm White	I CV 12V J CV 24V	E0	5.0M

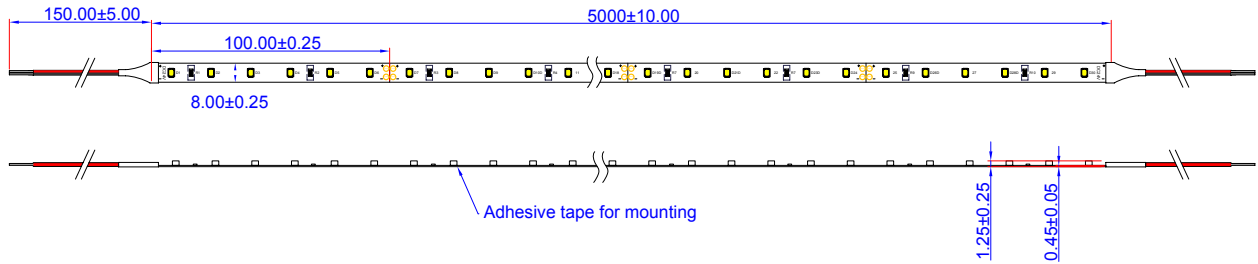
X6 Emitter	X7 Number of LEDs(M)	X8 Serial No.	
S	2835	060 60pcs 120 120pcs	xx -

Technical data

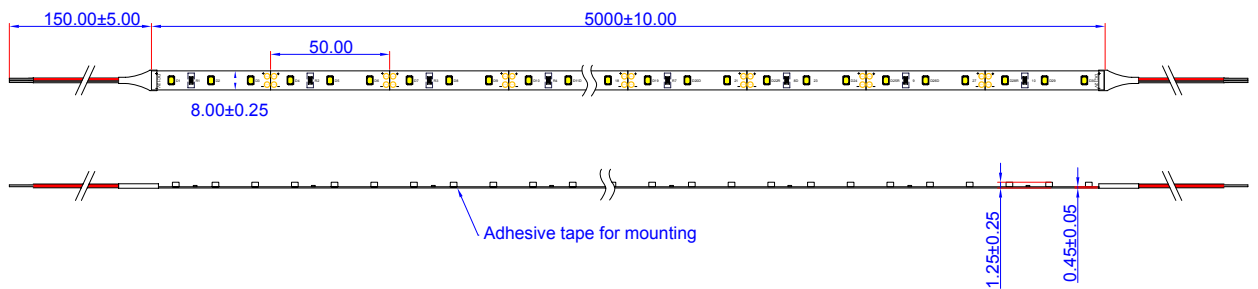
Parameter	Value	Units
Beam characteristic	120	°C
Ambient temperature range	-25~ +45	°C
Tp rated	65	°C
Tc	75	°C
Type of protection	IP20	
Color Temperature	2700	K
	3000	K
	4000	K
	5700	K
Number of connection	5	M
Risk group(EN62778)	1	
Classification acc. to	IEC62031	
	IEC62778	
	IEC62717	
	IEC61000-4-2	

Mechanical Dimensions

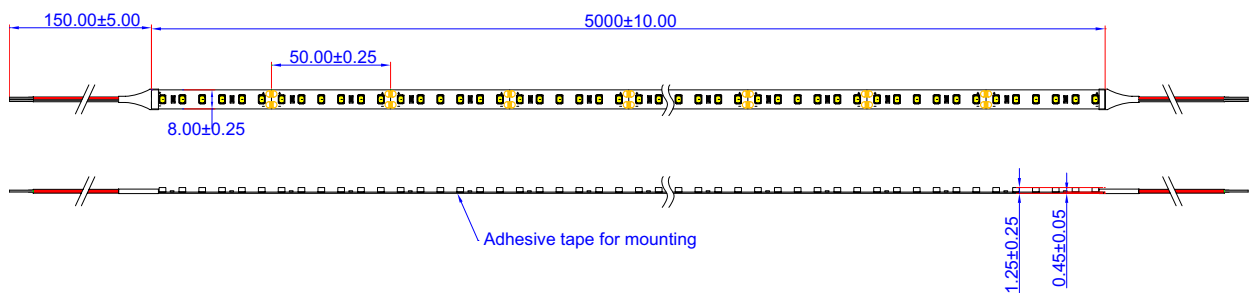
2835-60LED/M Series Dimensions (CV 24V IP20)



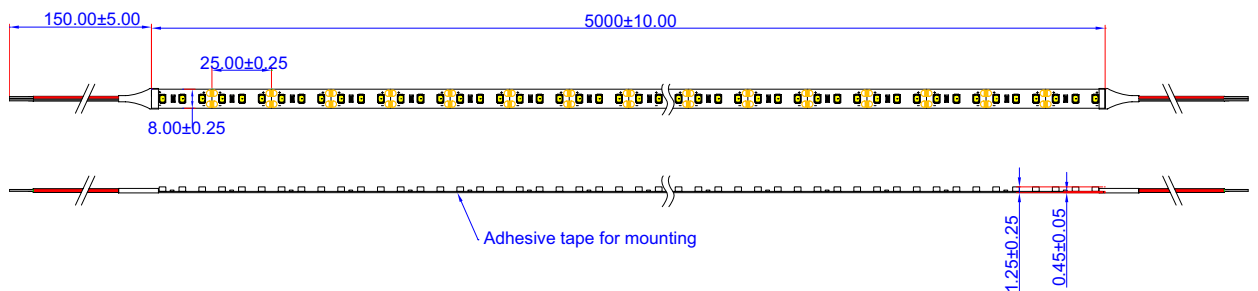
2835-60LED/M Series Dimensions (CV 12V IP20)



2835-120LED/M Series Dimensions (CV 24V IP20)



2835-120LED/M Series Dimensions (CV 12V IP20)



Notes:

1. All dimensions are in millimeters.
2. Tolerance is ±0.20 mm

Electric-Optical Characteristics

2835-12V-60LEDS/M

Order code	CCT (K/)	Voltage (CV)	Luminous flux TP25°C	Luminous flux TP65°C	Efficacy TP25°C	Efficacy TP65°C	Power (W/M)	Ra
6LBR2CWIE0S06002	5700	12	560 lm/M	500 lm/M	117 lm/W	105 lm/W	4.8	>80
6LBR2NWIE0S06002	4000	12	560 lm/M	500 lm/M	117 lm/W	105 lm/W	4.8	>80
6LBR2WWIE0S06002	3000	12	510 lm/M	460 lm/M	106 lm/W	95 lm/W	4.8	>80
	2700	12	485 lm/M	440 lm/M	101 lm/W	91 lm/W	4.8	>80
6LBR2CWIE0S06004	5700	12	490 lm/M	440 lm/M	102 lm/W	92 lm/W	4.8	>90
6LBR2NWIE0S06004	4000	12	490 lm/M	440 lm/M	102 lm/W	92 lm/W	4.8	>90
6LBR2WWIE0S06004	3000	12	450 lm/M	405 lm/M	94 lm/W	85 lm/W	4.8	>90
	2700	12	427 lm/M	383 lm/M	89 lm/W	80 lm/W	4.8	>90

2835/24V-60LEDS/M Series

Order code	CCT (K/)	Voltage (CV)	Luminous flux TP25°C	Luminous flux TP65°C	Efficacy TP25°C	Efficacy TP65°C	Power (W/M)	Ra
6LBR2CWJE0S06002	5700	24	560 lm/M	500 lm/M	117 lm/W	105 lm/W	4.8	>80
6LBR2NWJE0S06002	4000	24	560 lm/M	500 lm/M	117 lm/W	105 lm/W	4.8	>80
6LBR2WWJE0S06002	3000	24	510 lm/M	460 lm/M	106 lm/W	95 lm/W	4.8	>80
	2700	24	485 lm/M	440 lm/M	101 lm/W	91 lm/W	4.8	>80
6LBR2CWJE0S06004	5700	24	490 lm/M	440 lm/M	102 lm/W	92 lm/W	4.8	>90
6LBR2NWJE0S06004	4000	24	490 lm/M	440 lm/M	102 lm/W	92 lm/W	4.8	>90
6LBR2WWJE0S06004	3000	24	450 lm/M	405 lm/M	94 lm/W	85 lm/W	4.8	>90
	2700	24	427 lm/M	383 lm/M	89 lm/W	80 lm/W	4.8	>90

2835/12V-120LEDS/M Series

Order code	CCT (K/)	Voltage (CV)	Luminous flux TP25°C	Luminous flux TP65°C	Efficacy TP25°C	Efficacy TP65°C	Power (W/M)	Ra
6LBR2CWIE0S12002	5700	12	1120 lm/M	1000 lm/M	117 lm/W	104 lm/W	9.6	>80
6LBR2NWIE0S12002	4000	12	1120 lm/M	1000 lm/M	117 lm/W	104 lm/W	9.6	>80
6LBR2WWIE0S12002	3000	12	1020 lm/M	918 lm/M	106 lm/W	96 lm/W	9.6	>80
	2700	12	980 lm/M	882 lm/M	102 lm/W	92 lm/W	9.6	>80
6LBR2CWIE0S12004	5700	12	980 lm/M	882 lm/M	102 lm/W	92 lm/W	9.6	>90
6LBR2NWIE0S12004	4000	12	980 lm/M	882 lm/M	102 lm/W	92 lm/W	9.6	>90
6LBR2WWIE0S12004	3000	12	900 lm/M	810 lm/M	94 lm/W	84 lm/W	9.6	>90
	2700	12	855 lm/M	770 lm/M	89 lm/W	80 lm/W	9.6	>90

2835/24V-120LEDS/M Series

Order code	CCT (K/)	Voltage (CV)	Luminous flux TP25°C	Luminous flux TP65°C	Efficacy TP25°C	Efficacy TP65°C	Power (W/M)	Ra
6LBR2CWJE0S12002	5700	24	1120 lm/M	1000 lm/M	117 lm/W	104 lm/W	9.6	>80
6LBR2NWJE0S12002	4000	24	1120 lm/M	1000 lm/M	117 lm/W	104 lm/W	9.6	>80
6LBR2WWJE0S12002	3000	24	1020 lm/M	918 lm/M	106 lm/W	96 lm/W	9.6	>80
	2700	24	980 lm/M	882 lm/M	102 lm/W	92 lm/W	9.6	>80
6LBR2CWJE0S12004	5700	24	980 lm/M	882 lm/M	102 lm/W	92 lm/W	9.6	>90
6LBR2NWJE0S12004	4000	24	980 lm/M	882 lm/M	102 lm/W	92 lm/W	9.6	>90
6LBR2WWJE0S12004	3000	24	900 lm/M	810 lm/M	94 lm/W	84 lm/W	9.6	>90
	2700	24	855 lm/M	770 lm/M	89 lm/W	80 lm/W	9.6	>90

Notes:

- 1.The Maximum and minimum lumen flux are based on $\pm 10\%$ of the typical rate.
- 2.The Maximum and minimum Power are based on $\pm 10\%$ of the typical rate.

Standards

Energy classification

Type	CCT	Energy Classification
2835-12v-60LED/M Series	2700/3000K	A+
	4000/5700K	A+
2835-24v-60LED/M Series	2700/3000K	A+
	4000/5700K	A+
2835-12v-120LED/M Series	2700/3000K	A+
	4000/5700K	A+
2835-24v-120LED/M Series	2700/3000K	A+
	4000/5700K	A+

Thermal details

Storage and humidity

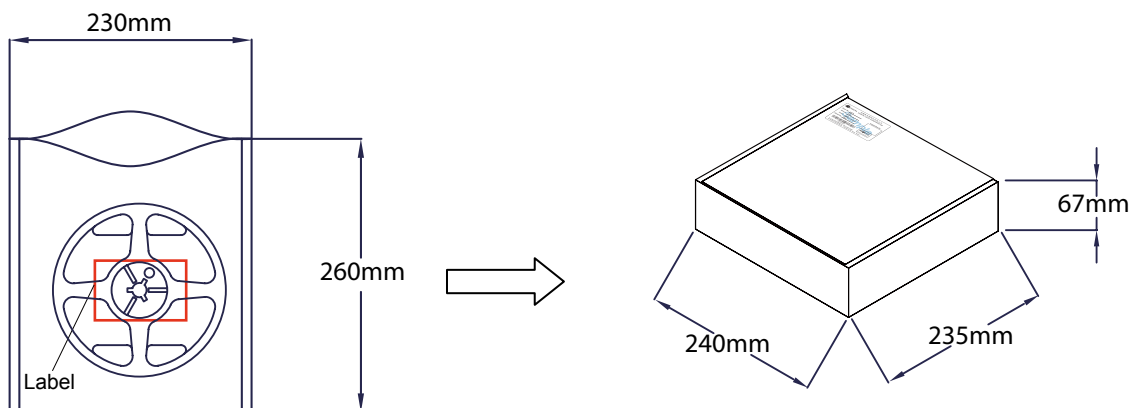
Storage temperature:-35 ... +70 °C

Operation only in non condensing environment.

Humidity during processing of the module should be between 0 to 70 %

Product Packaging Information

Type	Anti-static bag size(mm)	Anti-static bags/ inner box(pcs)	Inner box/carton(pcs)	Outside Carton size(mm)	GW±5% (kg)
2835-12V-60LED/M Series	260x230x10	5	10	488x261x364	8.9
2835-24V-60LED/M Series	260x230x10	5	10	488x261x364	8.9
2835-12V-120LED/M Series	260x230x10	5	10	488x261x364	8.9
2835-24V-120LED/M Series	260x230x10	5	10	488x261x364	8.9

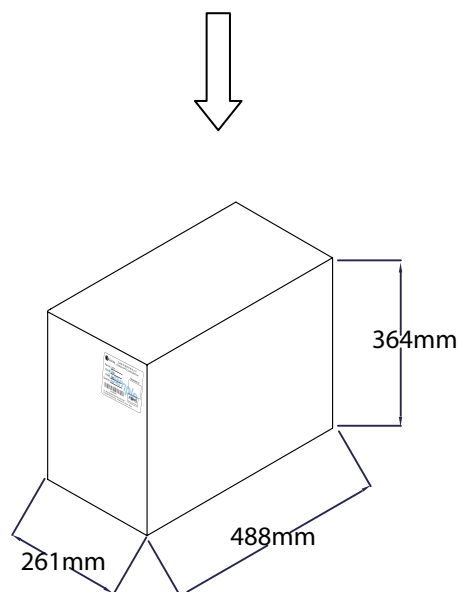


EX:

 艾笛森光電股份有限公司 EDISON OPTO CORPORATION	
Part No. : <u>6LBU2CWJE0J06002</u>	Inspected by:  
Color : <u>Cool White(W3F)</u>	
Quantity : <u>1 Reel(5M)</u>	
Lot No. : <u>D1201-12110022</u>	
 A410000005 Tel +86-2-82276996 Fax +86-2-8227-6997 4F No.800 Chung-Cheng ., Chung-Ho City Taipei. Taiwan	

Label information

Part NO. : Order code
 Color : Color(Emitter BIN color)
 Quantity : The number of packing
 Lot NO. : Date code



Precaution for Use

1. DO NOT use the products with materials has Sulfur.
2. DO NOT assemble in humid environment or the conditions of containing oxidizing gas such as C1 H₂S, NH₃, SO₂, NO_x, etc.
3. DO NOT add or change wires while the circuit of Module s active.Long time exposure to sunlight or UV should be avoided.
4. DO NOT press the product; even a slight pressure may damage the product. The environments such as high temperatures, high humidity or direct expose to sunlight should be avoided since the product is sensitive to these conditions.
5. Installation of LED modules (with power supplies) needs to be made with regard to all applicable and safety standards. Only qualified personnel should be allowed to perform installations.
6. Assembly must not damage or destroy conducting paths on the circuit board.
7. Please ensure that the power supply is of adequate power to operate the total load.
8. The maximum run length from any power feed should be limited to 5000 mm.

Environmental Compliance

PLCC lightbar FPC series are compliant to the Restriction of Hazardous Substances Directive or RoHS. The restricted materials including lead, mercury cadmium hexavalent chromium, polybrominated biphenyls (PBB) and polybrominated diphenyl ether (PBDE) are not used in PLCC lightbar FPC series to provide an environmentally friendly product to the customers.

Application Notes

PLCC Lightbar series are available in red, yellow, green, blue, white, neutral white and warm white for application such as under-cabinet lighting, cove lighting and wall washing. Moreover, additional fine-tuned high color rendering index (CRI) version of white, neutral white and warm white all make PLCC Lightbar the ideal lighting choice for vividly building or decoration products, presenting the products outline.

Revision History

Versions	Description	Release Date
1	Establish order code information	2017/10/20
2	Revise Absolute Maximum Ratings Value Revise Precaution for Use Information	2018/01/09
3	Revise Electric-Optical Characteristics	2018/10/16
4	Add Electric-Optical Characteristics	2019/04/19
5	Upgrade version	2019/08/29
6	Revise Electric-Optical Characteristics	2019/11/01
7	Revise Features and benefits Revise Electric-Optical Characteristics Delete life Information	2020/01/21

About Edison Opto

Edison Opto is a leading manufacturer of high power LED and a solution provider experienced in LDMS. LDMS is an integrated program derived from the four essential technologies in LED lighting applications- Thermal Management, Electrical Scheme, Mechanical Refinement, Optical Optimization, to provide customer with various LED components and modules. More Information about the company and our products can be found at www.edison-opto.com

Copyright©2020 Edison Opto. All rights reserved. No part of publication may be reproduced or transmitted in any form or by any means, electronic or mechanical, including photo copy, recording or any other information storage and retrieval system, without prior permission in writing from the publisher. The information in this publication are subject to change without notice.

www.edison-opto.com

For general assistance please contact:
service@edison-opto.com.tw

For technical assistance please contact:
LED.Detective@edison-opto.com.tw