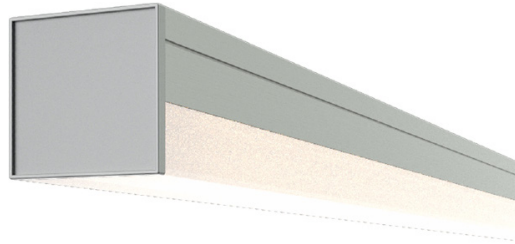


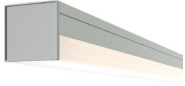
PR-19/19-L2



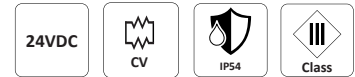
Linear LED Profile



Linear LED Profile



- ✓ 19.2 W/m
- ✓ Customized unit length
- ✓ Seamless connection between units
- ✓ Dimmable and controllable
- ✓ Dry or damp location versions
- ✓ Mounting accessories supplied



SPECIFICATIONS

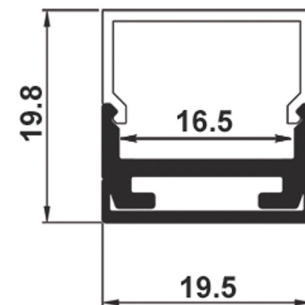
Power	19.2 W/m
Light Color	White: Warm, Neutral, Cool
White light CCT	3,000K 4,000K 6,000K
White light CRI ¹	≥80 - Standard ≥90
Beam	120°
Optics	Diffused cover
Uniformity	Parcial uniformity

Dimensions	19.5mm x 19.8mm
Length	Veritable from 100 - 3000mm
Weight	306g

Housing	Aluminum Extrusion, PMMA cover
Housing color	Natural anodize coating
IP Rating	Dry locations - IP20 Damp locations - IP54
Operating Temp.	-20°C to 40°C
Cable	100mm 2 wire cable - Standard
Connectors	Power out - Open Wires Fixture to fixture - 2 pin plug

Extras	
Accessories (supplied)	Mounting plates Suspension wires
Power supply	Constant voltage 24V
Control	On/Off 0-10V DALI DMX

CROSS SECTION



LUMEN OUTPUT INFO

CCT	Diffused Cover
3,000K	1,080 lm
4,000K	1,092 lm
6,000K	1,176 lm

- Output data refers to Edison 3528 LEDs
- Total lumen output can vary in accordance to chosen power supply and connection scheme

Notes:

- 1 CRI 90 version is available upon request only
- 2 Extras are not supplied by default and priced separately