

# DL-TUBO-40

## UP/DOWN Linear LED Profile



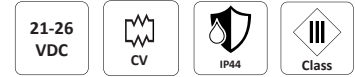
21-26  
VDC



## Linear LED Profile



- ✔ 28.8W/m Down 9.6W/m Up
- ✔ Customized unit length
- ✔ Seamless connection between units
- ✔ Dimmable and controllable
- ✔ Dry or damp location versions
- ✔ Mounting accessories supplied



### SPECIFICATIONS

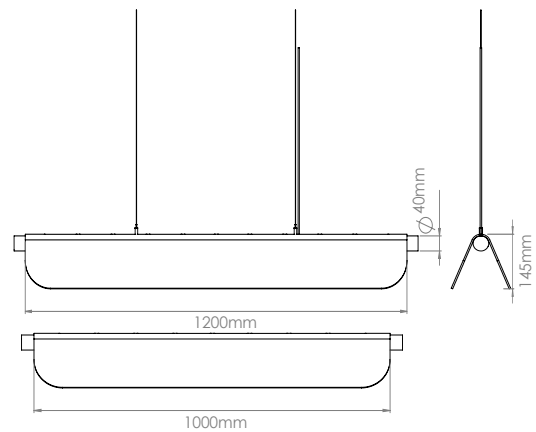
Power	28.8W/m Down 14.4W/m Up
Light Color	White: Warm, Neutral, Cool
White light CCT	3,000K   4,000K   6,000K
White light CRI <sup>1</sup>	≥80 - Standard ≥90
Beam	120°
Optics	Opal Diffused cover
UGR	< 19

Dimensions	
Length	1000mm/1200mm
Weight	1,484g

Housing	Aluminum Extrusion, PMMA cover
Housing color	Natural anodize coating
IP Rating	Dry locations - IP20
Operating Temp.	-20°C to 40°C
Cable	100mm 2 wire cable - Standard
Connectors	Power out - Open Wires Fixture to fixture - 2 pin plug

Extras	
Accessories (supplied)	Mounting plates Suspension wires
Power supply	Constant voltage 24V
Control	On/Off   0-10V   DALI   DMX

### CROSS SECTION



### LUMEN OUTPUT INFO

CCT	Down	Up
3,000K	2288 lm/m	712 lm/m
4,000K	2346 lm/m	768 lm/m
6,000K	3431 lm/m	810 lm/m

Output data refers to Edison 2835 LEDs  
Total lumen output can vary in accordance to chosen power supply and connection scheme

#### Notes:

- 1 CRI 90 version is available upon request only
- 2 Extras are not supplied by default and priced separately