

GR-DK-100R



Mounted LED Fixture



Dimmable



50,000 Hours
Life Span



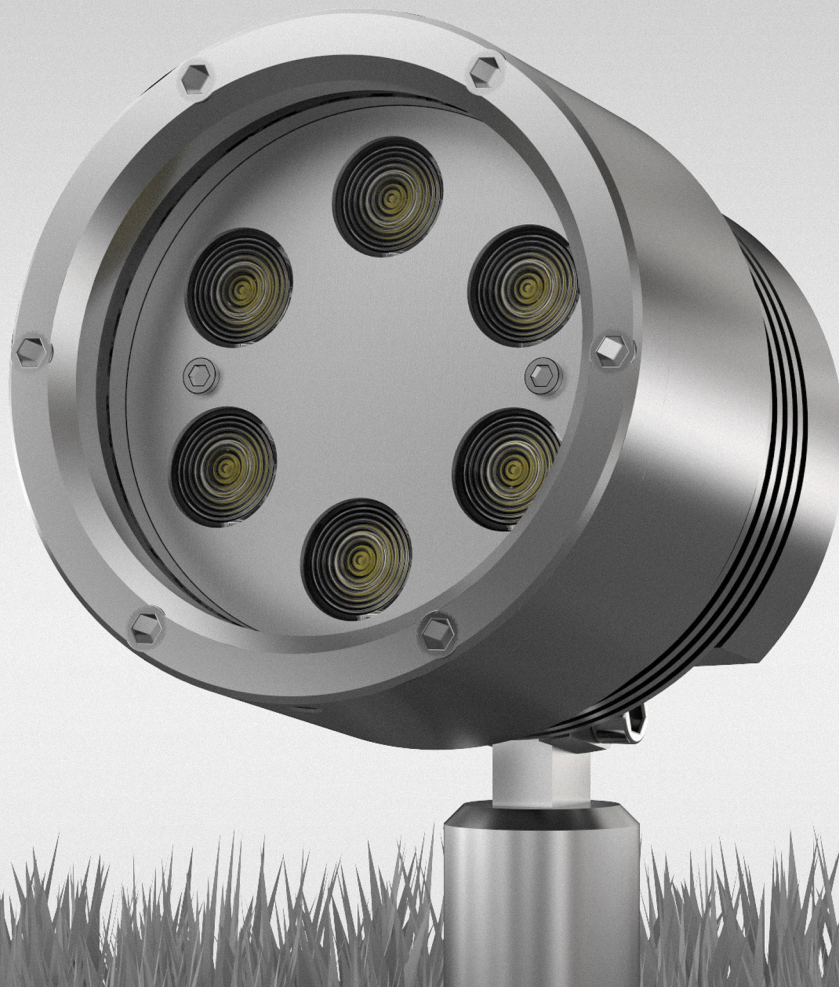
IP67



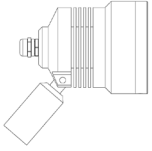
CV



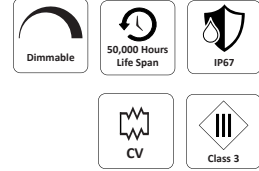
Class 3



Mounted LED Fixture



- ✔ 18W Max
- ✔ Wet locations - IP67
- ✔ 50,000 hour lifetime
- ✔ CNC processed Aluminum housing
- ✔ Mounting accessories Available



SPECIFICATIONS

Power	6 × 3W (700mA)
Light Color	White: Warm, Neutral, Cool Color: Red, Green, Blue, Amber, RGB
White light CCT	3,000K 4,000K 6,000K
Lumen Output ¹	1,320lm 1,320lm 1,560lm
White light CRI ²	≥80 - Standard ≥90
Beam	5°, 15°, 25°, 45°
Optics	20mm high precision optics

Dimensions	ø100mm, Length 135mm
Height	152mm
Net Weight	1,339g

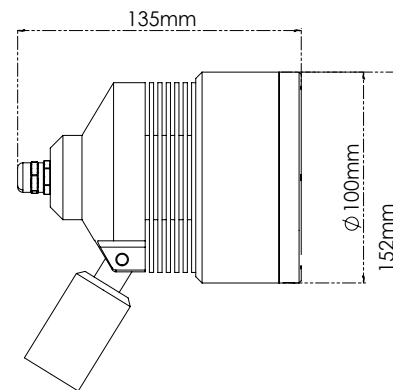
Housing	Aluminum
Housing color	Natural anodize coating
IP Rating	Wet locations - IP67
Operating Temp.	-20°C to 40°C
Cable ³	300cm Neoprene cable - Standard
Connectors	Open Wires

Extras⁴

Accessories	C-5050 - Mounting plate (50mm x 50mm) C-7676 - Mounting plate (76mm x 76mm) C-250 - Mounting spike (250mm) C-7850 - Mounting base IP65 cable housing
Cable	Custom length up to 20m
Power supply	Constant Voltage Constant Current
Control	On/Off 0-10V Triac DMX DALI

DRAWINGS

SIDE



Notes:

- 1 ±10% output tolerance in accordance to manufacturer specifications
- 2 CRI 90 version is available upon request only
- 3 for custom cable length see extras
- 4 Extras are not supplied by default and priced separately