

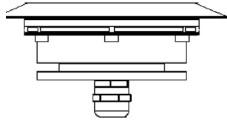
# IG-100-73Q



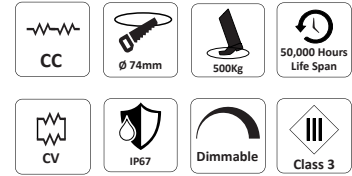
## InGround LED Spot



## Inground LED spot



- ✔ 3W Max
- ✔ IP67 for wet locations
- ✔ 50,000 hour lifetime
- ✔ CNC processed Aluminum housing
- ✔ 500Kg walkover
- ✔ Installation accessories supplied



### SPECIFICATIONS

Power	1 LED x 3W (700mA)
Light Color	White: Warm, Neutral, Cool Color: Red, Green, Blue, Amber, RGB
White light CCT	3,000K   4,000K   6,000K
Lumen Output <sup>1</sup>	540lm   540lm   630lm
White light CRI <sup>2</sup>	≥80 - Standard ≥90
Beam	5°, 15°, 25°, 45°, Wide (frosted)
Optics	20mm Optics Clear or frosted cover

Dimensions	100mm x 100mm
Installation cut off	ø74mm (without concrete box)
Height	49mm (without PG and cable)
Weight	240g

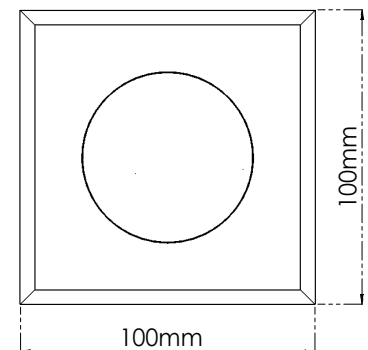
Housing	Aluminum, tempered crystal glass cover
Housing color	Natural anodize coating
IP Rating	Wet locations - IP67
Operating Temp.	-20°C to 40°C
Cable	100cm Neoprene cable - Standard
Connectors	Open Wires
Accessories	B-73 - Concrete box (ø76.5 mm x 80mm)

### Extras

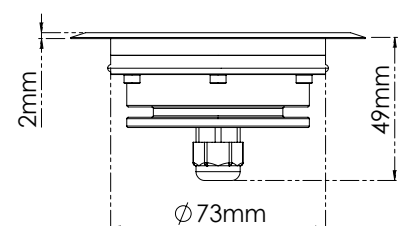
Cable	Custom cable length up to 50m
Power Supply	Constant Current
Control	On/Off   0-10V   Triac   DMX   DALI

### DRAWINGS

TOP



SIDE



### Notes:

- 1 LEDs have ±10% output tolerance in accordance to manufacturer specifications
- 2 CRI 90 version is available upon request only
- 3 Extras are not supplied by default and priced separately