

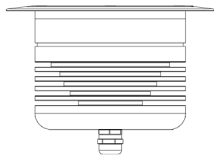
IG-130-94R



InGround LED Spot



Inground LED spot



- ✔ 9W Max
- ✔ IP67 for wet locations
- ✔ 50,000 hour lifetime
- ✔ CNC processed Aluminum housing
- ✔ 500Kg walkover
- ✔ Installation accessories supplied



SPECIFICATIONS

| | |
|------------------------------|---|
| Power | 3 LED x 3W (700mA) |
| Light Color | White: Warm, Neutral, Cool Color: Red, Green, Blue, Amber, RGB |
| White light CCT | 3,000K 4,000K 6,000K |
| Lumen Output ¹ | 660lm 660lm 780lm |
| White light CRI ² | ≥80 - Standard ≥90 |
| Beam | 5°, 15°, 25°, 45°, Wide (frosted) |
| Optics | 20mm Optics Clear or frosted cover |

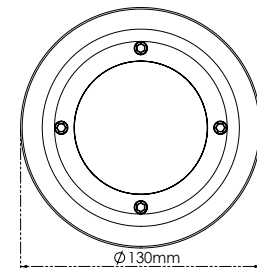
| | |
|----------------------|------------------------------|
| Diameter | Ø130 |
| Installation cut off | Ø95mm (without concrete box) |
| Height | 74mm (without cable) |
| Weight | 1,200g |

| | |
|-----------------|--|
| Housing | Aluminum, tempered crystal glass cover |
| Housing color | Natural anodize coating |
| IP Rating | Wet locations - IP67 |
| Operating Temp. | -20°C to 40°C |
| Cable | 100cm Neoprene cable - Standard |
| Connectors | Open Wires |
| Accessories | B-94 - Concrete box |

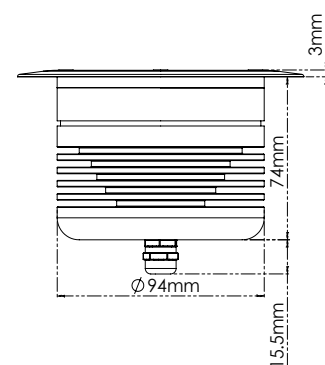
| | |
|--------------|-------------------------------------|
| Extras | |
| Cable | Custom cable length up to 50m |
| Power Supply | Constant Current |
| Control | On/Off 0-10V Triac DMX DALI |

DRAWINGS

TOP



SIDE



Notes:

- 1 LEDs have ±10% output tolerance in accordance to manufacturer specifications
- 2 CRI 90 version is available upon request only
- 3 Extras are not supplied by default and priced separately