

PL-160-32R-NR



Under Water LED Fixture



Stainless steel



Dimmable



50,000 Hours
Life Span



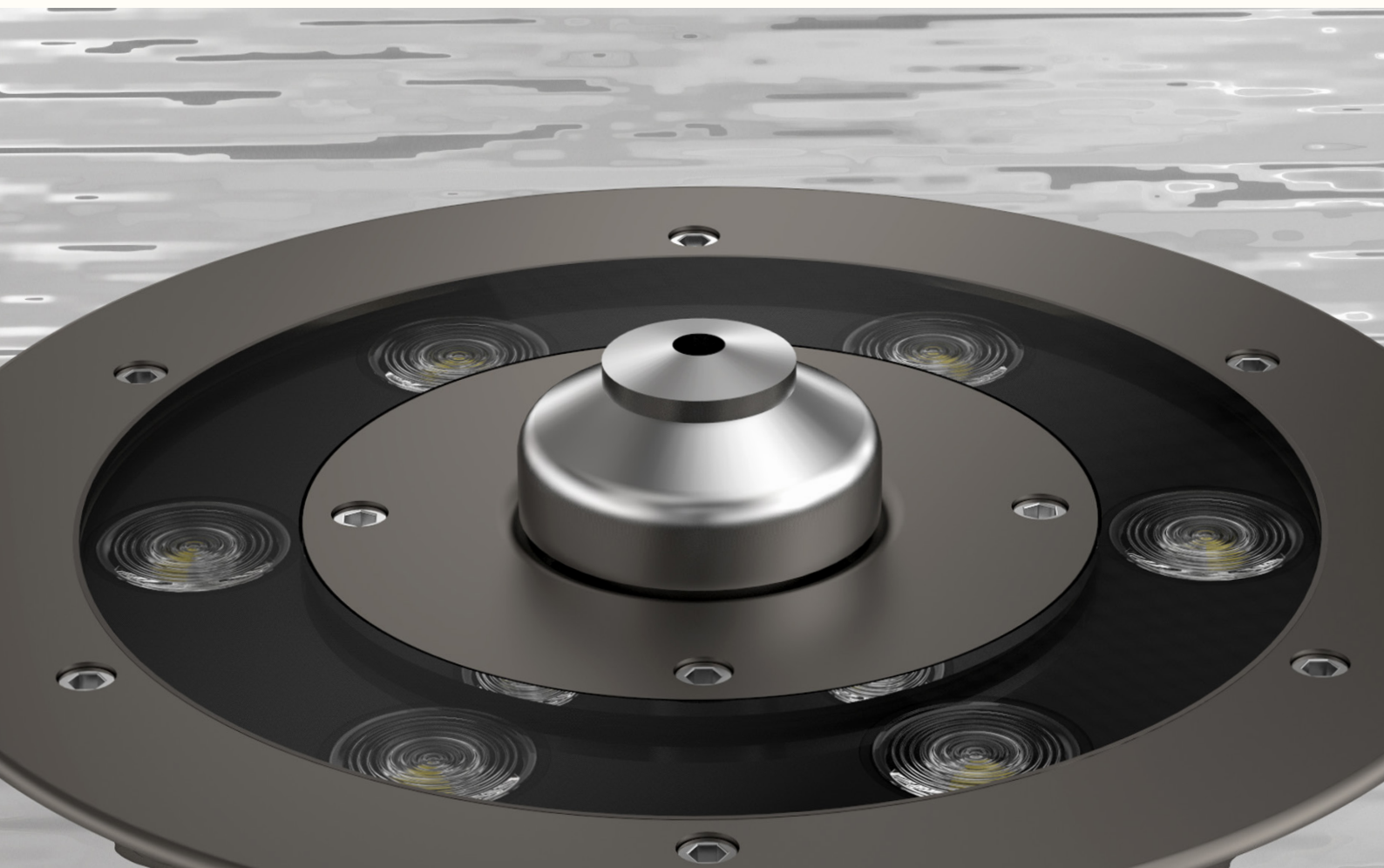
IP68



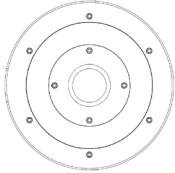
CC



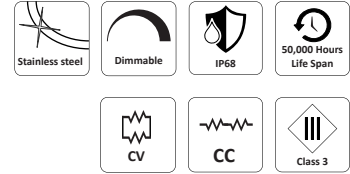
Class 3



Under Water LED Fixture



- ✔ 18W Max
- ✔ Under Water - IP68
- ✔ 50,000 hour lifetime
- ✔ CNC processed stainless steel housing
- ✔ Accessories supplied



SPECIFICATIONS

Power	6 LED x 3W (700mA)
Light Color	White: Warm, Neutral, Cool Color: Red, Green, Blue, Amber, RGB
White light CCT	3,000K 4,000K 6,000K
Lumen Output ¹	1,320lm 1,320lm 1,560lm
White light CRI ²	≥80 - Standard ≥90
Beam	5°, 15°, 25°, 45°
Optics	20mm high precision lens

Diameter	ø160mm
Nozzle cavity	ø32mm
Height	44mm (with PG socket)
Net Weight	792g

Housing	Stainless steel
Housing color	Natural stainless steel with passivation
IP Rating	Wet locations - IP68
Operating Temp.	-20°C to 40°C
Cable ³	300cm Neoprene cable - standard
Connectors	Open Wires

Extras⁴

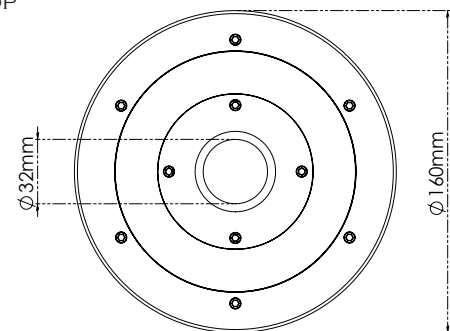
Accessories	R-8020 for fountain nozzle (diameter 33mm - 59mm)
Cable	Custom cable length up to 50m
Power supply	Constant Current Constant Voltage
Control	On/Off 0-10V Triac DMX DALI

Notes:

- 1 ±10% output tolerance in accordance to manufacturer specifications
- 2 CRI 90 version is available upon request only
- 3 for custom cable length see extras
- 4 Extras are not supplied by default and priced separately

DRAWINGS

TOP



SIDE

