

# Datasheet

## PURE S-C



Manufacture: NEKO LIGHTING AG

Type: PURE S-C Ceiling Mounted Spotlight PUSC-9303015D-WW

### General

- Indoor
- Spotlight
- Ceiling mounted
- Version: round
- Housing: white
- Reflector: white
- IP 20

### LED

- 3000K
- CRI 90
- LED Output: 1500lm
- System Output: 1200lm
- 50000h@L80B10
- SDCM: 3



### Optics

- Beam angle: 30°

### Electric

- LED Driver: DALI Dim
- LED Power: 13W
- System Power: 15W
- 36V
- 350mA

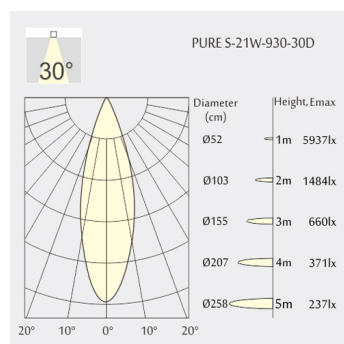
### Dimensions

- Measurement: Ø72mm
- Height: 170mm
- Net Weight: 900g
- Gross Weight: 1100g
- Pivot: 90°
- Rotation: 355°

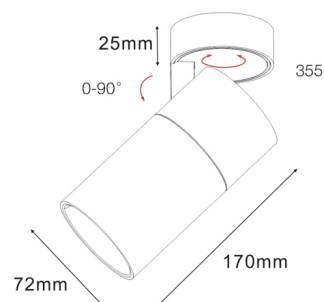
### Description

Ceiling mounted Spotlight round made of die-cast aluminium with white powder-coating finish (RAL 9016) and white reflector; DALI Dim Driver; System Power 15W; measurements spotlight Ø72mm x 170mm; rotation 355° and pivot max. 90°; CCT 3000K with a System Luminous Flux of 1200lm; high color rendering at an index of CRI90; after a lifetime of 50000h L80B10 min. 80% of the luminous flux with energy efficient CITIZEN LED Chips; 5 years warranty; beam characteristic with 30° beam angle; degree of housing protection IP20; Can only be mounted in a false ceiling

### Light distribution



### Technical drawing



RoHS



The technical data represent rated values for an ambient temperature of 25°C. The data values for the luminous flux are initially subject to a tolerance of +/- 10%, those for the electrical connected load are initially subject to a tolerance of +/- 10%, and those for the colour temperature are initially subject to a tolerance of +/- 150 K. No liability is assumed for typographical or printing errors. The general terms and conditions of NEKO Lighting AG apply.