

Datasheet

SKYSURFER

Manufacture: NEKO LIGHTING AG

Type: SKYSURFER Ceiling Light SSRC-9303610F-BN



General

- Outdoor
- Ceiling Light
- Fixed
- Ceiling mounted
- Version: round
- Housing: black
- IP 65

LED

- 3000K
- CRI 90
- LED Output: 1000lm
- System Output: 850lm
- 50000h@L80B10
- SDCM: 3



Optics

- Beam angle: 36°
- UGR <19

Electric

- LED Driver: ON-OFF
- LED Power: 8W
- System Power: 10W
- 36V
- 230mA

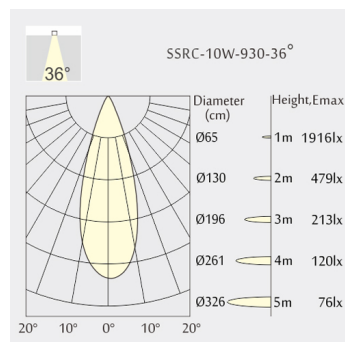
Dimensions

- Measurement: Ø90mm
- Height: 107mm
- Net Weight: 600g
- Gross Weight: 645g

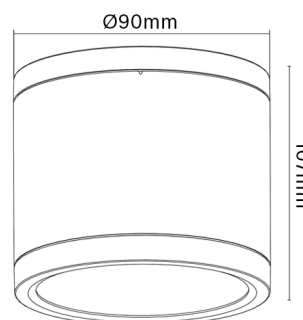
Description

Round ceiling light made of die-cast aluminium; black powder-coating finish (RAL 9005); ON-OFF Driver; System Power 10W; measurement Ø90mm; luminaire's height is 107mm; CCT 3000K with a System Luminous Flux of 850lm; high color rendering at an index of CRI90; after a lifetime of 50000h L80B10 min. 80% of the luminous flux with energy efficient CITIZEN LED Chips; 3 years warranty; medium beam characteristic with 36° beam angle; UGR<19; degree of housing protection IP65; light source replaceable by a qualified electrician; driver replaceable by a qualified electrician

Light distribution



Technical drawing



RoHS



The technical data represent rated values for an ambient temperature of 25°C. The data values for the luminous flux are initially subject to a tolerance of +/- 10%, those for the electrical connected load are initially subject to a tolerance of +/- 10%, and those for the colour temperature are initially subject to a tolerance of +/- 150 K. No liability is assumed for typographical or printing errors. The general terms and conditions of NEKO Lighting AG apply.